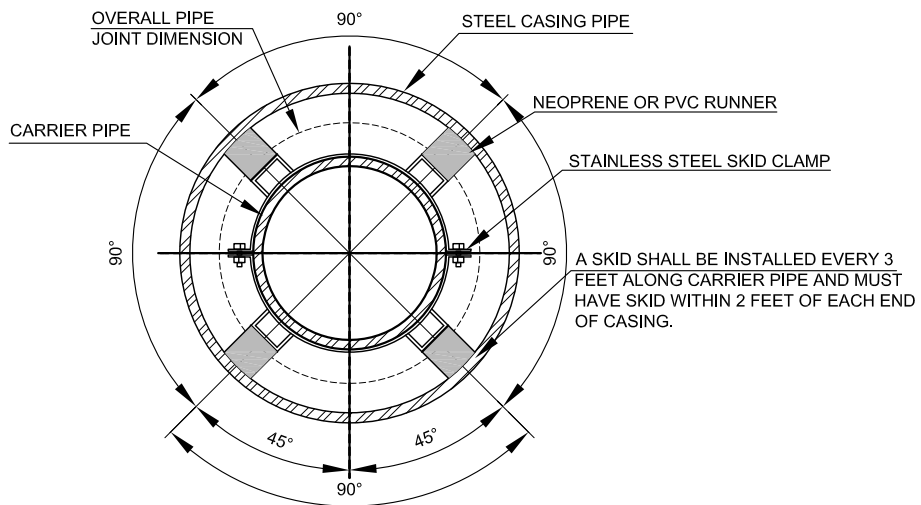



PIPE CASING PROFILE



PIPE CASING CROSS - SECTION

CARRIER PIPE NOMINAL Ø	CASING PIPE	
	MIN OD	MIN WALL THICKNESS
4"	12"	0.188"
6"	16"	0.250"
8"	18"	0.282"
12"	22"	0.344"
16"	28"	0.406"
20"	32"	0.469"

- NOTES:**
1. FOLLOW MANUFACTURER'S RECOMMENDATION, IF IN CONFLICT WITH NTM STANDARDS USE MOST CONSERVATIVE.
 2. CARRIER PIPE MUST BE RETRAINED AT ALL JOINTS IN THE CASING PIPE.

REV. DATE:	11/2013	PIPE CASING
SCALE:	N.T.S.	
 NORTH TABLE MOUNTAIN WATER AND SANITATION DISTRICT		DWG. NO.
14806 WEST 52ND AVENUE GOLDEN, COLORADO 80403-1228		W12